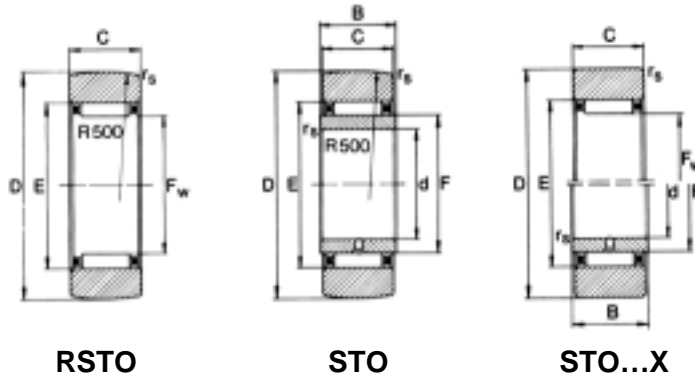


# YOKE TYPE TRACK ROLLERS

## Without axial guiding

RSTO,RSTO...X,STO,STO...X



Outer Diameter	Bearing Designation		Boundary Dimensions							Basic Load Ratings				Limiting Speed n <sub>1greas</sub> min-1
										As yoke type track rollers				
mm	Without inner ring	With inner ring	D	d	F 1)	B	C	E	rs	Cw	Cow	Cw	Cow	
			m m						min	N				
16	RSTO 5 TN	--	16	--	7	--	7.8	10	0.3	2850	2650	2550	2550	23000
	RSTO 5TNX	--	16	--	7	--	7.8	10	0.3	2850	2650	2550	2550	23000
19	RSTO 6TN	STO 6 TN	19	6	10	10	9.8	13	0.3	4750	5500	3750	4500	20000
	RSTO 6TNX	STO 6 TN X	19	6	10	10	9.8	13	0.3	4750	5500	3750	4500	20000
24	RSTO 8TN	STO 8 TN	24	8	12	10	9.8	15	0.3	4900	6100	4200	5500	16000
	RSTO 8TNX	STO 8 TN X	24	8	12	10	9.8	15	0.3	4900	6100	4200	5500	16000
30	RSTO 10	STO 10	30	10	14	12	11.8	20	0.3	10300	10600	8400	9200	11000
	RSTO 10X	STO 10 X	30	10	14	12	11.8	20	0.3	10300	10600	8400	9200	11000
32	RSTO 12	STO 12	32	12	16	12	11.8	22	0.3	11500	12500	8900	10100	9000
	RSTO 12X	STO 12 X	32	12	16	12	11.8	22	0.3	11500	12500	8900	10100	9000
35	RSTO 15	STO 15	35	15	20	12	11.8	26	0.3	13400	16200	9100	10700	6500
	RSTO 15X	STO 15 X	35	15	20	12	11.8	26	0.3	13400	16200	9100	10700	6500
40	RSTO 17	STO 17	40	17	22	16	15.8	29	0.3	20000	25500	14300	17700	5500
	RSTO 17X	STO 17 X	40	17	22	16	15.8	29	0.3	20000	25500	14300	17700	5500
47	RSTO 20	STO 20	47	20	25	16	15.8	32	0.3	21000	28000	16200	21500	4700
	RSTO 20X	STO 20 X	47	20	25	16	15.8	32	0.3	21000	28000	16200	21500	4700
52	RSTO 25	STO 25	52	25	30	16	15.8	37	0.3	23100	33500	16500	22900	3600
	RSTO 25X	STO 25 X	52	25	30	16	15.8	37	0.3	23100	33500	16500	22900	3600
62	RSTO 30	STO 30	62	30	38	20	19.8	46	0.6	35500	57000	23300	35000	2500
	RSTO 30X	STO 30X	62	30	38	20	19.8	46	0.6	35500	57000	23300	35000	2500
72	RSTO 35	STO 35	72	35	42	20	19.8	50	0.6	36000	59000	26000	41000	2200
	RSTO 35X	STO 35 X	72	35	42	20	19.8	50	0.6	36000	59000	26000	41000	2200
80	RSTO 40	STO 40	80	40	50	20	19.8	58	1	35500	62000	24000	39000	1700
	RSTO 40X	STO 40 X	80	40	50	20	19.8	58	1	35500	62000	24000	39000	1700
85	RSTO 45	STO 45	85	45	55	20	19.8	63	1	40000	74000	25500	43000	1500
	RSTO 45X	STO 45X	85	45	55	20	19.8	63	1	40000	74000	25500	43000	1500
90	RSTO 50	STO 50	90	50	60	20	19.8	68	1	43500	85000	26000	46500	1300
	RSTO 50X	STO 50 X	90	50	60	20	19.8	68	1	43500	85000	26000	46500	1300

TN=plastic retainer, permissible operational temperature 120 , 150 for temporary use ,180 for short time only .

1) F is the inner ring tray diameter, Fw is the needle incircle diameter within the tolerance range F6.

2) when the bearing outer ring (with outer cylindrical surface) is fitted with general bearings in the seat holes, basic stable load C and C0 should be used while used as rolling wheel, rated load Cw and Cow should be used.

3) the rotating speed will increase by about 30% if oil lubricant is used.