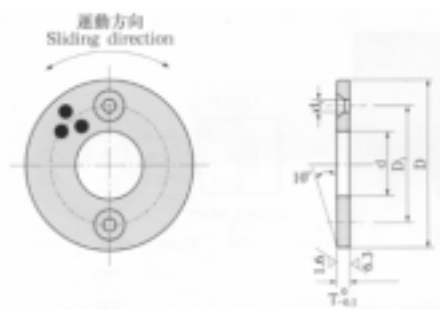


Standard Series of JSW500 Thrust Washers



Unit: mm

Stanard No.	d	D	T ⁰ -0.1	Bolt			
				D	Qty	size	d1
JSW500 -10	10.2	30	3	—	—	—	—
JSW500 -12	12.2	40		28	2	M3	3.5
JSW500 -13	13.2						
JSW500 -14	14.2						
JSW500 -15	15.2	50		35	—	—	—
JSW500 -16	16.2						
JSW500 -16N							
JSW500 -18	18.2						
JSW500 -20	20.2	55	5	35	2	M3	3.5
JSW500 -20N						M5	6
JSW500 -25	25.2	60	5	40	2	M5	6
JSW500 -25N						—	—
JSW500 -30	30.2	70	7	45	2	M5	6
JSW500 -35	35.2	80		50			
JSW500 -40	40.2	90		60			
JSW500 -45	45.2	100	8	67.5	4	M6	7
JSW500 -50	50.3	110		75			
JSW500 -55	55.3	120		85			
JSW500 -60	60.3	125		90			
JSW500 -65	65.3	130	10	95	4	M8	9
JSW500 -70	70.3	140		100			
JSW500 -75	75.3	150		110			
JSW500 -80	80.3	170		120			
JSW500 -90	90.5	190		140			
JSW500 -100	100.5	200		160		M10	11
JSW500 -120	120.5	200	175				