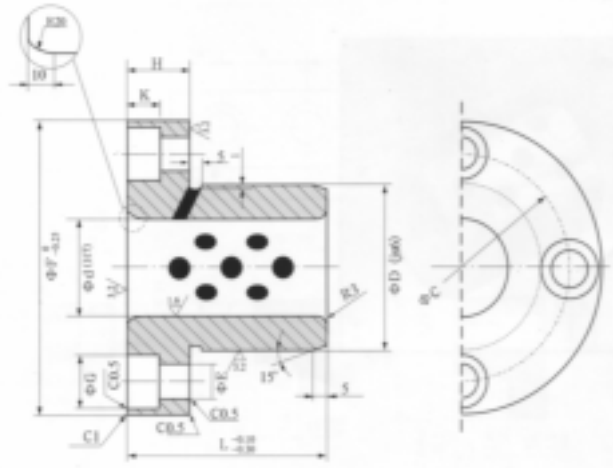


Standard Series of FF250 Flanged Bushes



Unit: mm

Item	Code	Specification	ΦF	ΦD	Φd	H	L	ΦC	ΦE	ΦG	K
1	FF250 - 30	90/50±30±50	90	50	30	20	50	70	11	17.5	10.8
2	FF250 - 40	100/60±40±65	100	60	40	20	65	80	11	17.5	10.8
3	FF250 - 50	125/75±50±80	125	75	50	20	80	100	11	17.5	10.8
4	FF250 - 60	135/85±60±100	135	85	60	20	100	110	11	17.5	10.8
5	FF250 - 80	170/110±80±130	170	110	80	25	130	140	14	20	13
6	FF250 - 100	190/130±100±160	190	130	100	25	160	160	14	20	13